

Pro8432 WT



The professional A3 white printer for garment decoration, packaging design, POS and window graphics

A breakthrough in printing technology, the Pro8432WT A3 white toner printer prints in any colour including white. Easy-to-use, affordable and ideal for creative, graphics arts use, the Pro8432WT prints solid, sharp, bright white colour designs on a wide range of media.

Print Smart, Print OKI!



Pro8432 WT

Authorized Dealer:

شركة النجم الرقمي للألات و المعدات
DIGITAL STAR MACHINERY AND EQUIPMENTS

Source of Digital Solutions

Welcome to Digital Star, your trusted partner in the world of cutting-edge printing solutions. As a leading printing machines, materials, and ink authorized dealer in Riyadh – Saudi Arabia (KSA), we pride ourselves on delivering state-of-the-art technology that empowers to achieve unparalleled levels of efficiency and quality.

At Digital Star, we understand the pivotal role that printing machinery plays in the success of your operations. With a commitment to innovation and excellence, we curate a diverse range of top-tier printing machines to meet the unique needs of our clients. Our product line-up reflects the latest advancements in the industry.

As a responsible printing machines supplier, we prioritize sustainability. Our commitment to eco-friendly practices is reflected in the products we offer, promoting energy efficiency and environmentally conscious manufacturing processes. When you choose Digital Star, you're not just investing in cutting-edge technology – you're partnering with a company that values the planet as much as your success.



The compact colour printer, with massive performance

Meet the small colour printer that doesn't compromise on cost effectiveness, productivity or efficiency.

Innovative technology

CMYW – A first for digital printing

Extend creativity

White toner technology removes the last barrier in creativity and design

In-house printing

Ideal for graphics, design and merchandising materials

Versatile media

Stand-out printing on coloured media, clear film and transfer media

Printing in solid, sharp and bright white is as easy as any other colour with the high-performance Pro8432WT. The combination of High Definition digital LED technology and cutting-edge OKI white toner technology removes one of the last barriers to creativity and design for print houses, manufacturers graphic arts firms and other businesses.

Innovative technology - CMYW, A first for digital printing

The Pro8432WT is part of OKI's White Toner (WT) portfolio - the first digital printer range that offers users the ability to print using white toner. Based on tried and tested devices, that are well regarded by graphic based industries for their high-quality output, the innovative Pro8432WT offers the same speeds as OKI's standard colour digital LED printers and easy to use and operate.

- Ultra-reliable digital LED printing technology and a simple, flat paper path for longer trouble-free printing.
- Microfine High Definition toner and ProQ Multi-level output quality with 1200 x 600dpi print resolution for sharp, crisp results
- Prints at the same speeds as standard colour digital LED printers – 35ppm A4 plain paper, 20ppm, A3 plain paper
- Printer shipped with 2 additional 4,500 page White toner cartridges, to enhance your Return on Investment from day one

Extend creativity - White toner technology removes the last barrier in creativity and design

The Pro8432WT removes the design barriers presented by traditional CMYK printing processes. Printing solid white onto a wide variety of media, it can be used in combination with transfer media to create vibrant print on dark backgrounds, dark coloured garments and other hard surfaces.

- Creates vibrant print on dark backgrounds, dark coloured garments and other hard surfaces
- Produces white graphic and lettering transfers on cost-effective transfer media

In-house printing - Ideal for graphics, design and merchandising materials

White toner printing offers designers, graphics studios, point-of-sale manufacturers and a range of other graphics-based businesses new flexibility in printing, proofing and production, making it possible to print a range of demands in-house whenever they are needed. Flexible and built to overcome many of the barriers to creativity, the versatile Pro8432WT lowers the cost of producing creative design proofs.

- Prints on paper sizes from A6 to A3 and weights up to 256gsm
- Standard 400-sheet paper supply



Versatile media - Stand-out printing on coloured media, clear film and transfer media

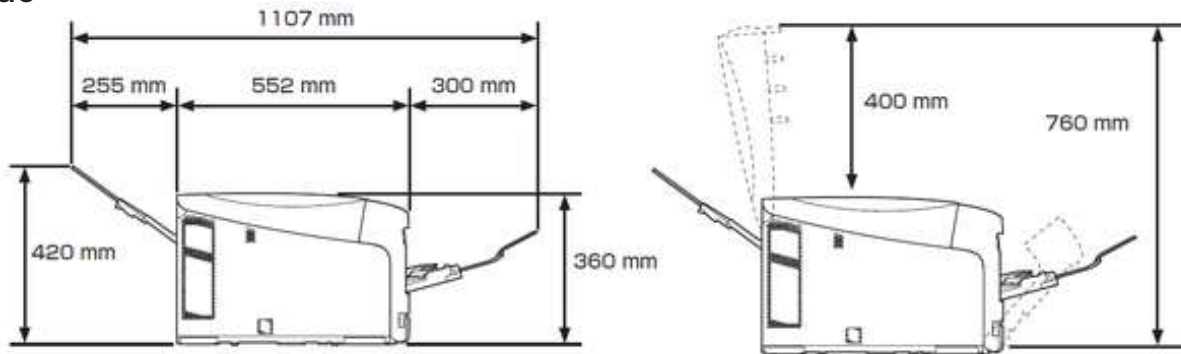
For window graphics and clear film, the ability to print white on top of the other colour adds richness and depth to the graphics and text and displays white where needed, making colours stand out.

- Creates vibrant CMYK colours on dark and light-coloured media, clear film and transfer media, ensuring colour and image integrity

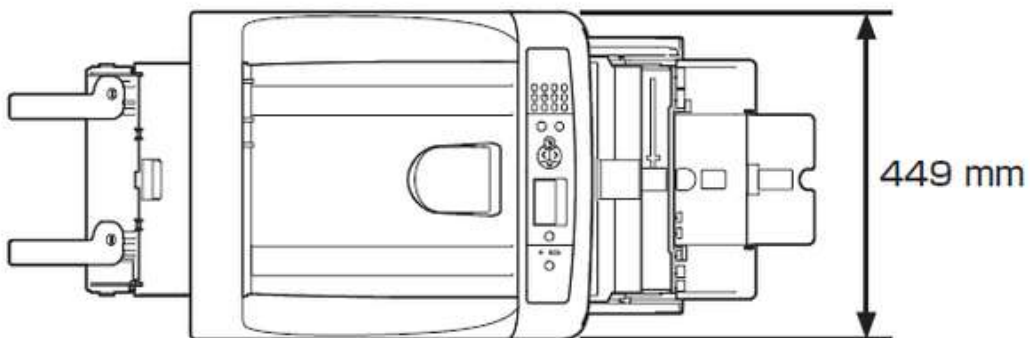
Space required

| Space required |

Side



Front



Product Specification

| | |
|---------------------------|---|
| Printing Technology | Digital 4 LED Full-color Electrophotographic Printing Method |
| Print Resolution | 600 x 600 dpi (4 levels) |
| | 600 x 600 dpi |
| | 600 x 1200 dpi |
| | Physical dot pitch: 600 dpi |
| Warm-up Time | Approx. 25.0 seconds from power-on |
| | Approx. 20.0 seconds from power save |
| Interface | 10/100/1000 Base Ethernet, (Optional) Wireless LAN (IEEE802.11a/b/g/n) |
| Protocol | TCP/IP |
| Printer Language | PostScript 3 emulation |
| Supported OS | Windows 10, Windows 10 x64, Windows 8.1, Windows 8.1 x64, Windows 8, Windows 8 x64, Windows 7, Windows 7 x64, Windows Vista, Windows Vista x64, Windows Server 2016, Windows Server 2012 R2, Windows Server 2012, Windows Server 2008 R2, Windows Server 2008, Windows Server 2008 x64, macOS 10.12, OS X 10.11, OS X 10.10, OS X 10.9, OS X 10.8 |
| Memory (Std./Max.) | 256MB/768MB |
| Font | PostScript emulation 80 fonts |
| Paper Size | A3, A4, A5, A6, B4, B5, B6, B6 Half, Tabloid (11" x 17"), Letter, Legal 13, Legal 13.5, Legal 14, Executive, Statement, 8.5" SQ, Folio, 8K, 16K, Photo Size (4" x 6", 5" x 7") (100 x 150mm, 125 x 175mm), Index Card (3" x 5") (75 x 125mm), Custom Size: Width 64-297 mm x Length 90-431 mm |
| Paper Weight | Tray 1 : 64 - 220 gsm |
| | Multi-purpose tray : 64 - 256 gsm |
| Input Capacity | Tray 1 : 300 sheets |
| | Multi-purpose tray : 100 sheets |
| Output Capacity | Face Down : Max. 250 sheets |
| | Face Up : Max. 100 sheets |
| Dimensions(WxDxH) | 449 x 552 x 360 mm |
| Weight(includes supplies) | 37.0 kg |
| Operating Environment | Operating: 10 - 32 °C, 20 - 80 %RH |
| | Storage: 0 - 43 °C, 10 - 90 %RH |
| | No condensation |
| Power Source | Single phase 220 - 240 VAC ±10%, 50/60 Hz ±2% |

| | |
|---------------------------------|--|
| Power Consumption | Operating: Max. 1,400W / Ave. 700W Idle: 100W |
| | Power Save: 12.0W |
| | Deep Sleep: 1.0W |
| | Auto-Off: 0.15W |
| Safety & Environment Regulation | Energy Star, EMC-Directive, CE Mark, GS Mark, CCC Mark, cULus Mark, cULus Mark |
| Noise Level | Operating :Approx. 52 dBA Idle: < 32 dBA |
| *Toner Cartridge | White: 4,500 Pages |
| *Toner Cartridge | Cyan/ Magenta/ Yellow: 10,000 Pages |
| *Image Drums | White: 9,000 Pages |
| *Image Drums | Cyan/ Magenta/ Yellow: 30,000 Pages |
| *Transfer Belt | 30,000 Pages |
| *Fuser Unit | 50,000 Pages |

*Specifications are subject to change without prior notice, all rights reserved.

SYSTEM REQUIREMENTS (PC's)

| | |
|-----------------------------|---|
| Operating System* | Windows 10 (64 Bit) or Later |
| Processor | i7 - 2.6 GHz or faster |
| Memory (RAM) | Min. 8GB or More |
| Video Card and Monitor(VGA) | 1280x1024 or Higher Resolution is Recommended |
| Working Hard Disk Space | 1 TB SSD or more recommended |
| Graphics Card | 2GB or more (Optional) |
| Optical drive | DVD-ROM |
| Other requirements | Ethernet connection for network capable printers Available USB ports and PCIE Slot |
| Recommended Brand | Lenovo / Dell |

* Note: You can use a laptop or desktop computer

* Use the original operating system and software. If you are using pirated operating system or software, we are not responsible for any damage to Machine workings, and also the warranty terms will become void.

**Print Smart,
Print OKI!**

Terms and Conditions

01. Payment to be made in SAR currency.
02. Payment Terms : As mentioned in Quotation.
03. Bank Charges: Any bank charges relevant to the above transactions will be to your account.
04. Any charges, duties, taxes or levies at the ports of entry will be to our account.
05. The charges of loading, boarding and local conveyance of the technician will be to our account.
06. Any required electrical, mechanical and civil site preparation should be done by the customer according to our engineer's requirements.
07. Digital Star Machinery and Equipments will not be held responsible for delays caused by any damage. in the equipment due to shipment, unloading accidents & any related reasons, which is beyond our control.
08. Warranty will be applicable as per our Warranty Policies. The Warranty will be valid after signing of Warranty Policies.
09. Service will be free of cost within 12 months from the date of installation.
10. Any claim will be invoice directly to you then we will send for claiming procedure which will take 45-60 days, if the claim got approved credit note will issued directly.
11. Delivery: As mentioned in quotation

شركة النجم الرقمي للألات و المعدات DIGITAL STAR MACHINERY AND EQUIPMENTS

IBN AL SAQA 8162 | AS SALHIYAH DIST | RIYADH - 12662



+966 11 229 4473



info@digitalstarksa.com



+966 11 229 4473



www.digitalstarksa.com