

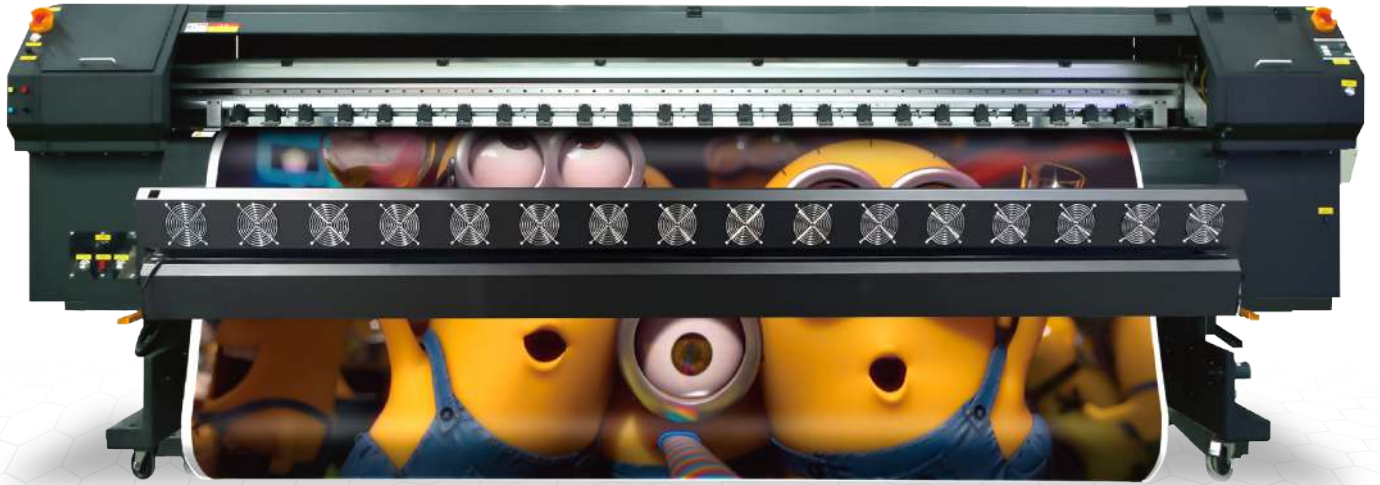
SOLVENT PRINTER



SOLVENT DIGITAL PRINTER

With Konica 512i Print Heads

- *Upgraded Printer Structure.*
- *High Performance Inks.*
- *4 Colors (C M Y K).*
- *400W High Power Panasonic Motor.*



OR-CK32-512I
126in (3200mm)

Authorized Distributor:

شركة النجم الرقمي للألات و المعدات
DIGITAL STAR MACHINERY AND EQUIPMENTS

Source Of Digital Solutions

Welcome to Digital Star, your trusted partner in the world of cutting-edge printing solutions. As a leading printing machines, materials, and ink authorized dealer in Riyadh – Saudi Arabia (KSA), we pride ourselves on delivering state-of-the-art technology that empowers to achieve unparalleled levels of efficiency and quality.

At Digital Star, we understand the pivotal role that printing machinery plays in the success of your operations. With a commitment to innovation and excellence, we curate a diverse range of top-tier printing machines to meet the unique needs of our clients. Our product line-up reflects the latest advancements in the industry.

As a responsible printing machines supplier, we prioritize sustainability. Our commitment to eco-friendly practices is reflected in the products we offer, promoting energy efficiency and environmentally conscious manufacturing processes. When you choose Digital Star, you're not just investing in cutting-edge technology – you're partnering with a company that values the planet as much as your success.

SOLVENT
PRINTER

 **ORIC**

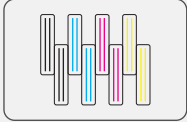
Solvent Printer



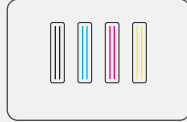
General Information & Highlights

- Upgraded printer structure makes high speed stable printing available.
- New Design Leaves room for Computer.
- 400W High Power Panasonic Motor Leads High Speed Printing to be more stable

Eight 512i Heads



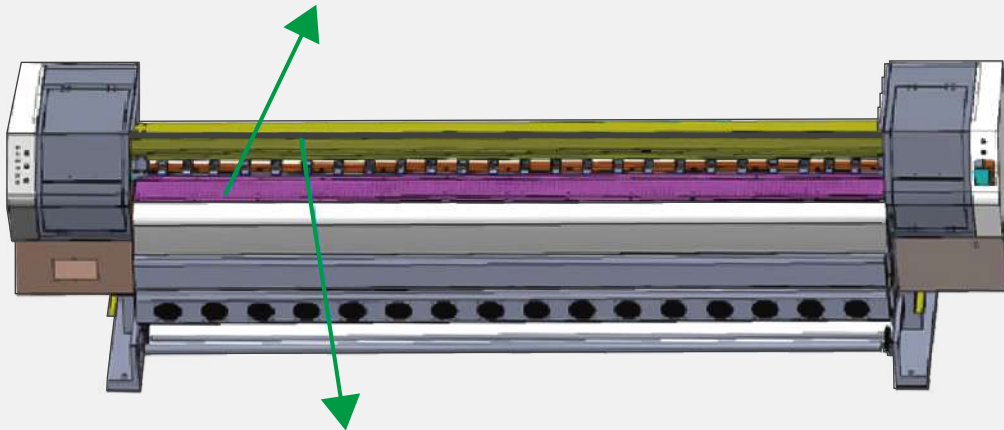
Four 512i Heads



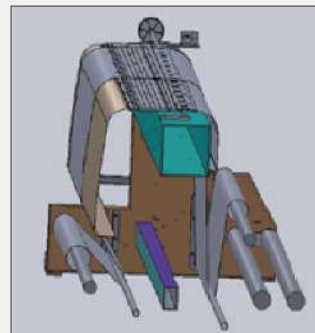
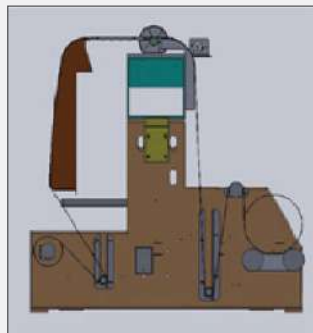
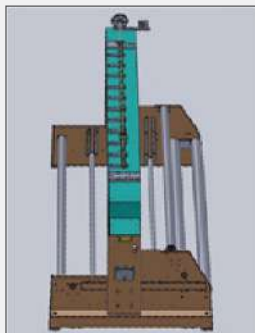
*Eight Konica 512i Heads

360x360dpi - 2 Pass	220m ² /h
360x540dpi - 2 Pass	170m ² /h
480x360dpi - 2 Pass	140m ² /h
480x540dpi - 3 Pass	100m ² /h

The Print Platform Precision is 3300mm ± 0.1mm



The THK Guide Rail Precision is 4400mm ± 0.1mm



Integrated Structure Makes Higher Take-Up, Feeding Accuracy

**SOLVENT
DIGITAL PRINTER
OR-CK32-512I**



PRODUCT SAMPLES



Solvent Printer



Product Specifications

MACHINE MODEL		OR-CK32-512I (4 HEADS)	OR-CK32-512I (8 HEADS)
Print Head		Four Konica 512i	Eight Konica 512i
Printing Technology		Piezoelectric Inkjet	
Acceptable Media	Width	126.4in (3210mm)	
	Thickness	Maximum 78.7 mil (2mm)	
	Weight	176 lb. (80Kg)	
Printing Width		126 in.(3200 mm)	
Ink Cartridges	Type	Solvent Ink	
	Capacity	Continual Ink Supply System (5L Bottle Ink)	
	Color	4 Colors (Cyan, Magenta, Yellow, Black)	
Printing Resolution		Maximum 720 dpi	
Printing Speed	2pass (360*360dpi) : 1184sqft (110sqm/h)		2pass (360*360dpi) : 2368sqft (220sqm/h)
	3pass (360*540dpi): 807sqft (75sqm/h)		3pass (360*540dpi): 1507sqft (170sqm/h)
	2pass (480*360dpi): 1023sqft (95sqm/h)		2pass (480*360dpi) : 1830sqft (140sqm/h)
	3pass (480*540dpi): 646sqft (60sqm/h)		3pass (480*540dpi): 1076sqft (100sqm/h)
Media Heating System		Intergrated tri-heater system	
Interface		USB 2.0	
Power Supply		AC 220V ± 10%, 50/60 HZ	
Dimensions(with stand)		195(W)x45(D)x63(H) in. (4960(W)x1150(D)x1600(H) mm)	
Weight(with stand)		1587 lb. (720 kg)	
Package Dimensions		Entirety Packing : 195(W)x44(D)x71 (H) in. (4940(W)x1130(D)x1810(H) mm)	
		Split Packing : 196(W)x32(D)x44(H) in. (4975(W)x830(D)x1130(H) mm)	
Environment	Power On	Temperature: 68°F to 90°F [20°C to 32°C] / Humidity: 35 to 80% (no condensation)	
	Power Off	Temperature: 41°F to 104°F [5°C to 40°C] / Humidity: 20 to 80% (no condensation)	

*Specifications, Machinie Body and Color are subject to change without prior notice, all rights reserved.

SYSTEM REQUIREMENTS (PC's)

Refer to the appropriate section below for the minimum and recommended computer system requirements necessary to use this printer.

Operating System*	Windows 10 (64 Bit) or Later
Processor	i7 - 2.6 GHz or faster
Memory (RAM)	Min. 8GB or More
Video Card and Monitor(VGA)	1280x1024 or Higher Resolution is Recommended
Working Hard Disk Space	1 TB SSD or more recommended
Graphics Card	2GB or more (Optional)
Optical drive	DVD-ROM
Other requirements	Ethernet connection for network capable printers
	Available USB ports and PCIE Slot
Recommended Brand	Lenovo / Dell

* Note: You can use a laptop or desktop computer

* Use the original operating system and software. If you are using pirated operating system or software, we are not responsible for any damage to Machine workings, and also the warranty terms will become void.

POWER REQUIREMENTS (PC's)

Voltage Regulator	5000W Stabilizer
-------------------	------------------

Terms and Conditions

01. Payment to be made in SAR currency.
02. Payment Terms : As mentioned in Quotation.
03. Bank Charges: Any bank charges relevant to the above transactions will be to your account.
04. Any charges, duties, taxes or levies at the ports of entry will be to our account.
05. The charges of loading, boarding and local conveyance of the technician will be to our account.
06. Any required electrical, mechanical and civil site preparation should be done by the customer according to our engineer's requirements.
07. Digital Star Machinery and Equipments will not be held responsible for delays caused by any damage in the equipment due to shipment, unloading accidents & any related reasons, which is beyond our control.
08. Warranty will be applicable as per our Warranty Policies. The Warranty will be valid after signing of Warranty Policies.
09. Service will be free of cost within 12 months from the date of installation.
10. Any claim will be invoice directly to you then we will send for claiming procedure which will take 45-60 days, if the claim got approved credit note will issued directly.
11. Delivery: As mentioned in quotation

شركة النجم الرقمي للألات و المعدات DIGITAL STAR MACHINERY AND EQUIPMENTS

IBN AL SAQA 8162 | AS SALHIYAH DIST | RIYADH - 12662



+966 11 229 4473



info@digitalstarksa.com



+966 11 229 4473



www.digitalstarksa.com